



# TECHNICAL BULLETIN

Issue Date: September 9, 2002

No. 03-146-02

## UL Construction #468

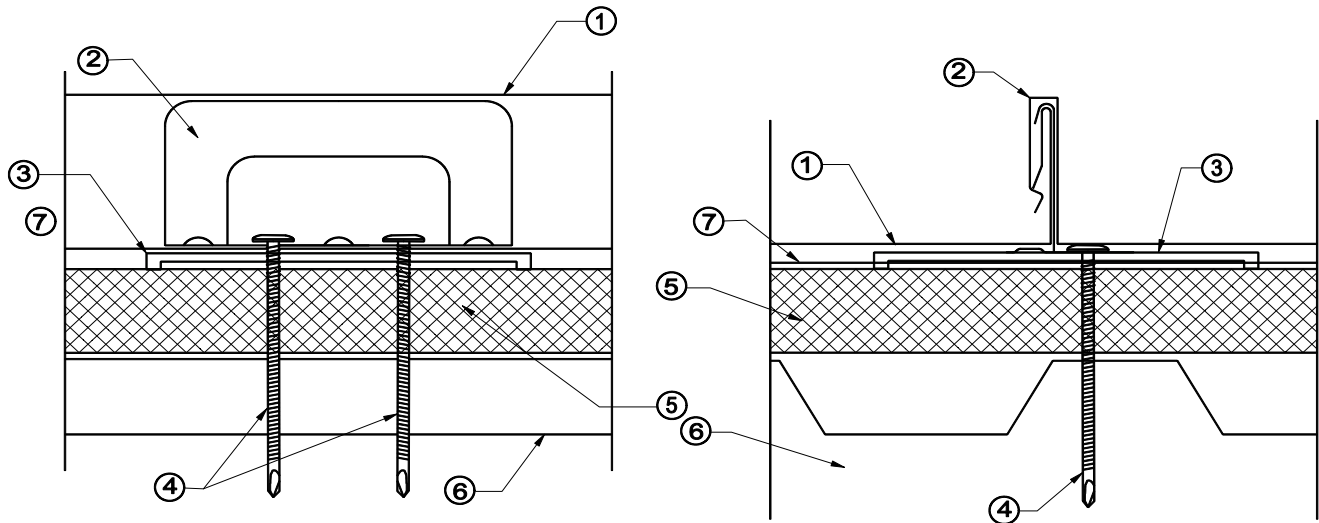
### Medallion Lok

#### UL580 Class 90 Wind Uplift

1. **Metal Roof Deck Panels\*** - No. 24 MSG min thickness coated steel panels. Panel width 18 in. maximum. Panel ribs to be 1-3/4 in. high. Panels continuous over three or more clips with no end laps.  
**McElroy Metal Mill, Inc.** "Medallion-Lok"
2. **Roof Deck Fasteners\* - (Panel Clips)** - One piece assembly, No. 18 MSG min thickness, 3-1/2 in. wide, 1-7/8 in. high. Clip spacing to be 48 in. OC. Clips to interface with Item 3 bearing plate.  
**McElroy Metal Mill, Inc.** "Medallion-Lok Clip"
3. **Bearing Plate** - One piece assembly, No. 18 MSG in thickness steel, 3-7/8 in. wide, 6 in. long. (50,000 psi min yield strength).
4. **Panel Fasteners - (Screws)** - Fasteners used to attach panel clips and bearing plates (Items 2 and 3) through rigid insulation and into light gauge steel deck (Item No. 6) to be No. 14 truss head type with No. 3 Phillips drive, self-drilling steel screws. Two screws per clip to be used, inserted through 1/4 in. diam guide holes. Length of screws based on overall insulation thickness (4 in. max) plus metal deck depth.
5. **Foamed Plastic - (Rigid Insulation)** - Min thickness 1 in., max thickness 4 in. Density to be a min of 2 pcf. As an alternate, 7/16 in. thick oriented strand board (OSB) may be placed on top of the rigid insulation provided combined thickness of OSB and rigid insulation does not exceed 4 in. max.
6. **Liner Panel** - Min thickness 22 MSG Coated steel (33,000 psi) min yield strength, min depth 1-1/2", fabricated to various profiles.
7. **Underlayment** - One ply of 30 lb roofing felt or one layer of bituminous resin type water proofing membrane.
8. **Supports - (Not Shown)** - Used to support liner panels, spaced per deck manufacturer's specifications. The following items may be used in conjunction with the "Medallion-Lok" Metal Roof Deck Panels (Item 1).
  - A. **Batten Clips\*** - Slipped over ribs formed by roof deck panels. One piece assembly, 1-3/4 in. high, 1-3/4 in. max width, with four legs and two arms. Formed to engage ribs of "Medallion-Lok" Panels and Batten Cap (Item B). Clips spaced 48 in. OC.  
**McElroy Metal Mill, Inc.** "Medallion-Lok Batten"
  - B. **Batten Cap\*** - Slipped over batten clip. Two inches high, 1-1/2 in. wide at top with sides formed to engage batten clip (Item A). Snapped over batten clips.  
**McElroy Metal Mill, Inc.** "Medallion-Lok Batten"

Refer to General Information, Roof Deck Construction, (Roofing Materials and Systems Directory) for items not evaluated.

\*Bearing the UL Classification Mark



CORPORATE OFFICE  
SHREVEPORT, LOUISIANA